



不銹鋼超潔淨伸縮囊密封型球型閥

Stainless Steel Ultra-High Purity Bellows Sealed Globe Valve

FIG 38AS



Applications

- High Purity Gas distribution system control valves
 - Superior containment and cleanliness for your most critical valve applications
- Suitable for inert and most toxic gases

Feature

- High Quality SUS316L bellows Design for Ultra- High Purity and Long Cycle Life.
- The standard seat material is PTFE, as option, another materials such as PCTFE can be used.
- The straight way type body design provide higher Cv value.
- We offer different grades of inner surface finishes , BA and EP.
BA to 20 Ra,Max (0.50 μ m)
EP to 10 Ra (0.25 μ m)
- Cleaned For High-purity Gas service.
- Assembled and tested in Clean room.
- Leak Test with 100% Helium.
- Different types of connection available. (Pipe, Tube, Flange and Standard Union)
- Optional Purge Connections or Fittings Available.

Technical Data

Model	Connection Size	Orifice Size (mm)	MAX Cv value	Temperature °C	Pressure, MPa(kgf/cm ² G)
38AS	15A	12	2.86	-10~100	VAC
	20A	15	4.1		0.98MPa
	25A	20	6.88		(10kgf/cm ² G)

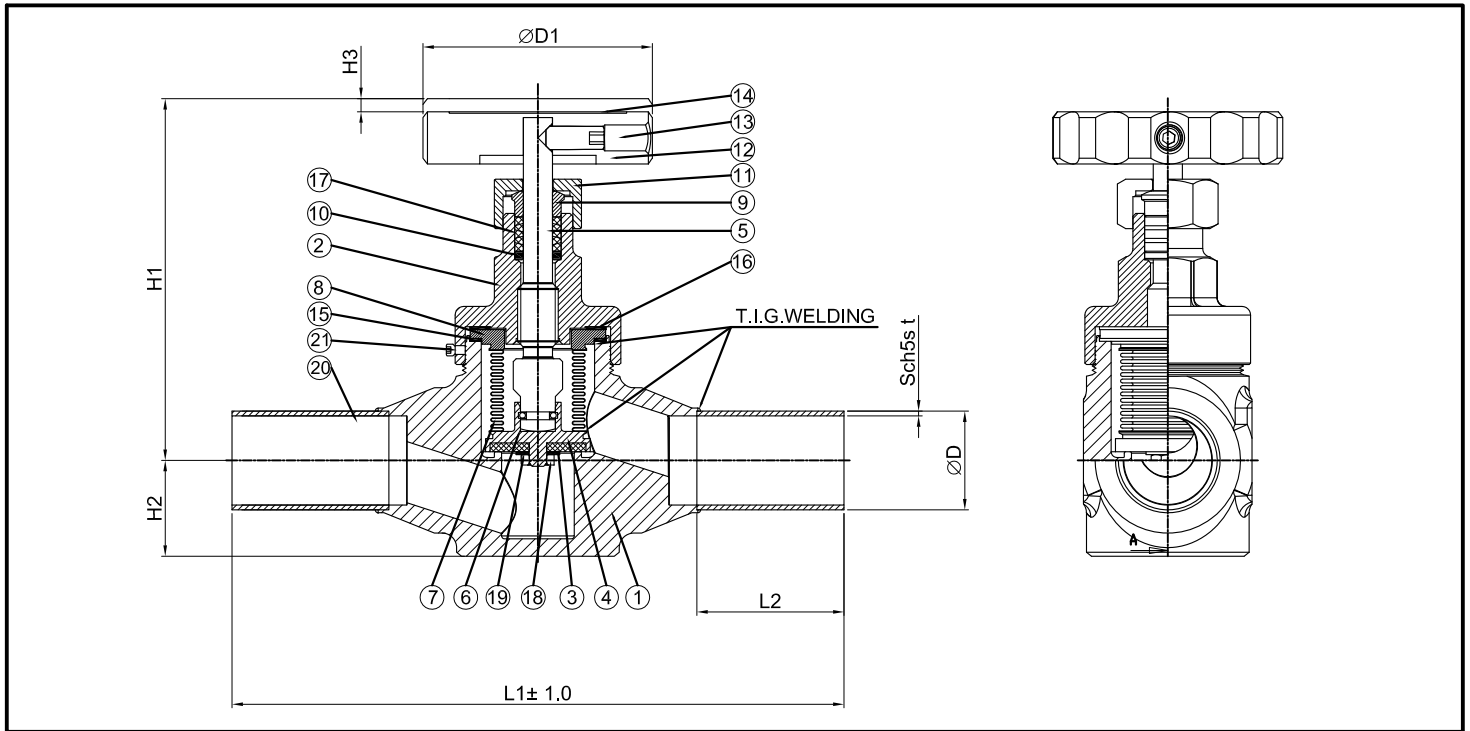
Specification

MAX fluid pressure		0.98MPa (10kgf/cm ² G)
Temperature range		-10~100(°C)
Shell test (GAS:N ₂)		1.47MPa (15kgf/cm ² G)
Air tight & Seat closure test (GAS:N ₂)		1.08MPa (11kgf/cm ² G)
Helium leakage test	External leakage	$\leq 1.01 \times 10^{-6}$ Pa · m ³ /sec (1x10 ⁻⁵ Atm · cc/sec)
	Leakage across seat	$\leq 1.01 \times 10^{-6}$ Pa · m ³ /sec (1x10 ⁻⁵ Atm · cc/sec)



不銹鋼超潔淨伸縮囊密封型球型閥 Stainless Steel Ultra-High Purity Bellows Sealed Globe Valve

FIG 38AS



NO.	PART NAME	MATERIAL	MATERIAL
1	BODY	SUS316L	
2	BONNET	SUS304	
3	DISK	PTFE	
4	DISK HOLDER	SUS316L	
5	STEM	SUS304	
6	DISK STEM RING	SUS304WPB	
7	BELLOWS	SUS316L	
8	BELLOWS FLANGE	SUS316L	
9	GLAND	SUS304	
10	GLAND RING	SUS304	
11	GLAND NUT	SUS304	
12	HAND WHEEL	ALUMINUM	
13	SET SCREW	SUS304	
14	HANDLE SEAL	POLYESTER	
15	BONNET GASKET	PTFE	
16	GASKET	PCTFE	
17	GLAND PACKING	PTFE	
18	DISK NUT	SUS316L	
19	DISK WASHER	SUS316L	
20	PIPE	SUS316L	
21	SET SCREW	SUS304	

BUTTWELD TYPE (Sch5s)

Dimensions Table:

Unit : mm

Description	Model	NPS	D	L	L1	L2	H1	H2	A	t	K	C
38AS-15A	38AS	15A	21.7	190	90	50	101	24	60	1.65	4	30
38AS-20A	(W)	20A	27.2	200	100	50	108	28	63	1.65	5	35
38AS-25A	TYPE	25A	34.0	210	110	50	120	33	80	1.65	6	40

*Tube sizes and wall thicknesses are available on request