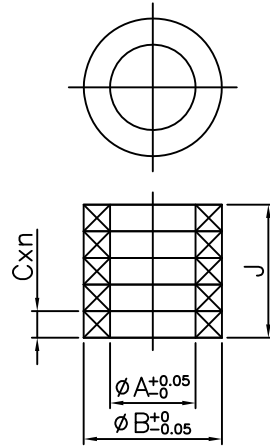
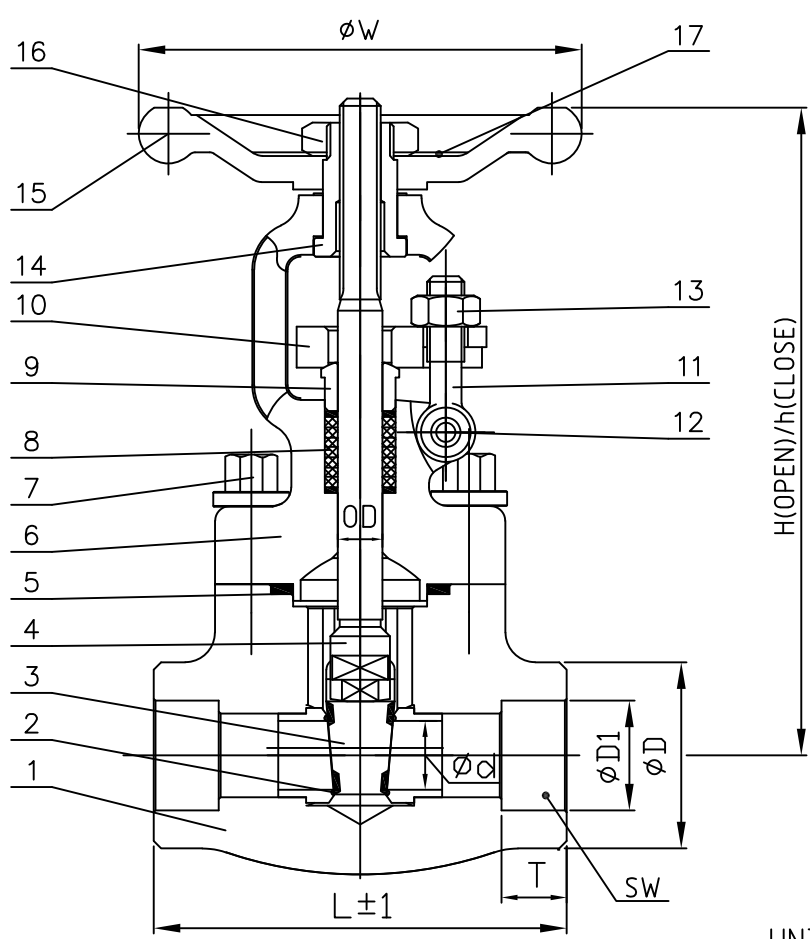


8		7		6		5		DRG NO.		0		2		1	
CLIENTS LIST NO.		TEST PRESSURE		HYDROSTATIC 2975 psig		SEAT 2175 psig		STANDARD		FACE TO FACE (END TO END) DIMENSIONS OF ENDS		KGMC STD ASME B16.11		REVISIONS	
TAG NO.:		AIR API 602 CLASS 800		80 psig						WALL THICKNESS API 602 CLASS 800		ZONE   LTR   DESCRIPTION   DATE   APPROVED			



DETAIL OF PACKING  
 ☒ - GRAPHITE

SIZE-800  
 MARK

UNIT : mm

18			
17	NAME PLATE		SS316
16	HANDWHEEL NUT		ASTM A194-2H
15	HANDWHEEL		ASTM A536
14	YOKESLEEVE		ASTM A276-410+NITRIZED
13	EYE BOLT NUT		ASTM A194-2H
12	EYE BOLT PIN		ASTM A580-410T
11	EYE BOLT		ASTM A193-B7
10	GLAND FLANGE		ASTM A181
9	GLAND		ASTM A276-410
8	GLAND PACKING		GRAPHITE
7	BONNET BOLT		ASTM A193-B7
6	BONNET		ASTM A105
5	GASKET		SPW 316SS+GRAPHITE
4	STEM		ASTM A276-410
3	WEDGE		ASTM A276-410
2	SEAT RING		ASTM A276-410+H/F STL#6
1	BODY		ASTM A105

CLASS 800 DIMENSIONS

ITEM NO	QTY	SIZE	φd	L	φW	H	h	T	φD1	φD	□D	φA	φB	J	Cxn	WT.(kg) APPROX.
		1/2"	10.5	79	100	158.5	146	9.5	21.8	37	10	10	16	24	6x4	2.3
		3/4"	13.5	92	100	163.5	148	12.5	27.2	40	10	10	16	24	6x4	2.5
		1"	18	111	125	196	176	12.5	33.8	50	12	12	19	24	6x4	4.3
		1-1/2"	29	120	160	233	202	12.5	48.7	67	16	16	26	30	6x5	6.2
		2"	36.5	140	180	267	228	16	61.2	77	17	17	27	30	6x5	9.1

LIST OF MATERIALS

FIG	--45A1XXSW000	
金口金屬股份有限公司		
DRAWN BY	吳賜柏	110.07.05
CHECKED BY		
CHIF.	王聰烈	110.07.05
MANG.	賴金輝	110.07.05
APPROVED	許進香	110.07.05
TITLE		800LB 1/2"-2" FORGED STEEL GATE VALVE □.S.&Y. B.B. SW ENDS
SCALE	NON	DRG NO. 81410050000XX   REV.0