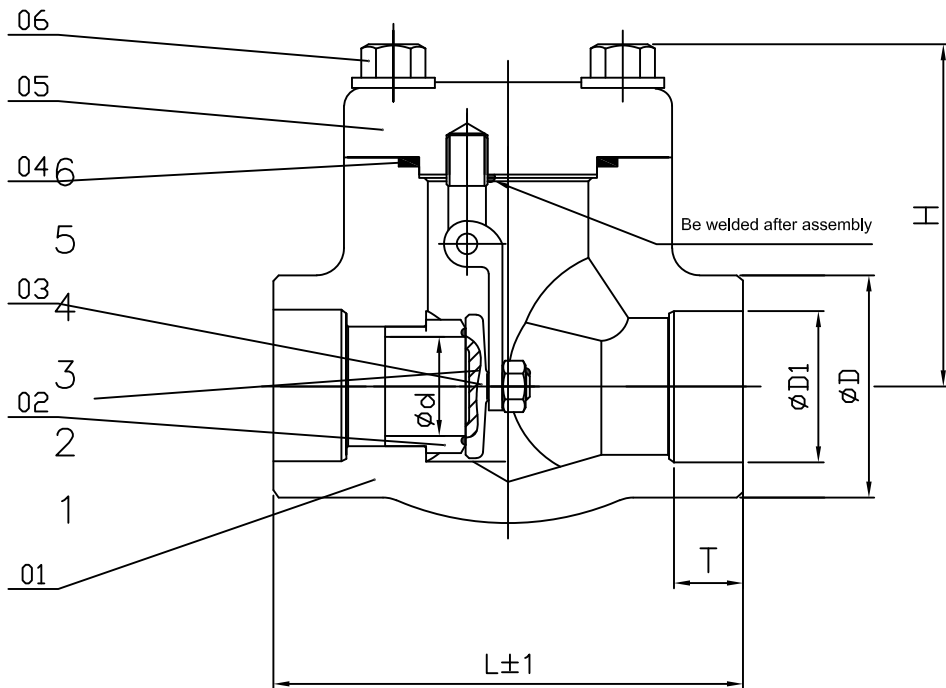


8 CLIENTS LIST NO.		7 TEST PRESSURE		6 SHELL SEAT		5 STANDARD		DRG NO. 81510055000XX 0		2 REVISIONS		1	
		HYDROSTATIC 2225 psig		1630 psig				FACE TO FACE (END TO END) KGMC STD		ZONE LTR		DATE APPROVED	
TAG NO.		AIR		80 psig				DIMENSIONS OF ENDS ASME B16.11		DESCRIPTION		DATE APPROVED	
		API 598 CLASS 600						WALL THICKNESS API 602 CLASS 800					



SIZE-800

MARK

UNIT : mm

DIMENSIONS

ITEM NO.	QTY.	SIZE	Ød	L	H	T	ØD1	ØD
		1/2"	10.5	79	61	9.5	21.8	36
		3/4"	13.5	92	61	12.5	27.2	40
		1"	18	111	78	12.5	33.9	50
		1-1/2"	29	120	84	12.5	48.8	67
		2"	35	140	120	16	61.2	77

ITEM NO.	QTY REQ	NOMENCLATURE OR DESCRIPTION	MATERIAL AND SPECIFICATION
10			
9			
8			
7		CAP BOLT	ASTM A193-B7
6		CAP	ASTM A105
5		GASKET	SPW 316SS+GRAPHITE
4		DISC	ASTM A276-410H/F STL#6
3		SEAT	ASTM A276-410H/F STL#6
2		BODY	ASTM A105

LIST OF MATERIALS

FIG	--53A1XXSW500		
DRAWNBY	江文暘	106.10.25	TITLE
CHECKEDBY			800# 1/2"~2" FORGED STEEL
CHIF.	王聰烈	106.10.25	SWING CHECK VALVE B.C. S.W.
MANG.	賴金輝	106.10.25	ENDS
APPROVED	許進春	106.10.25	SCALE NDN DRG NO. 81510055000XX Rev.0