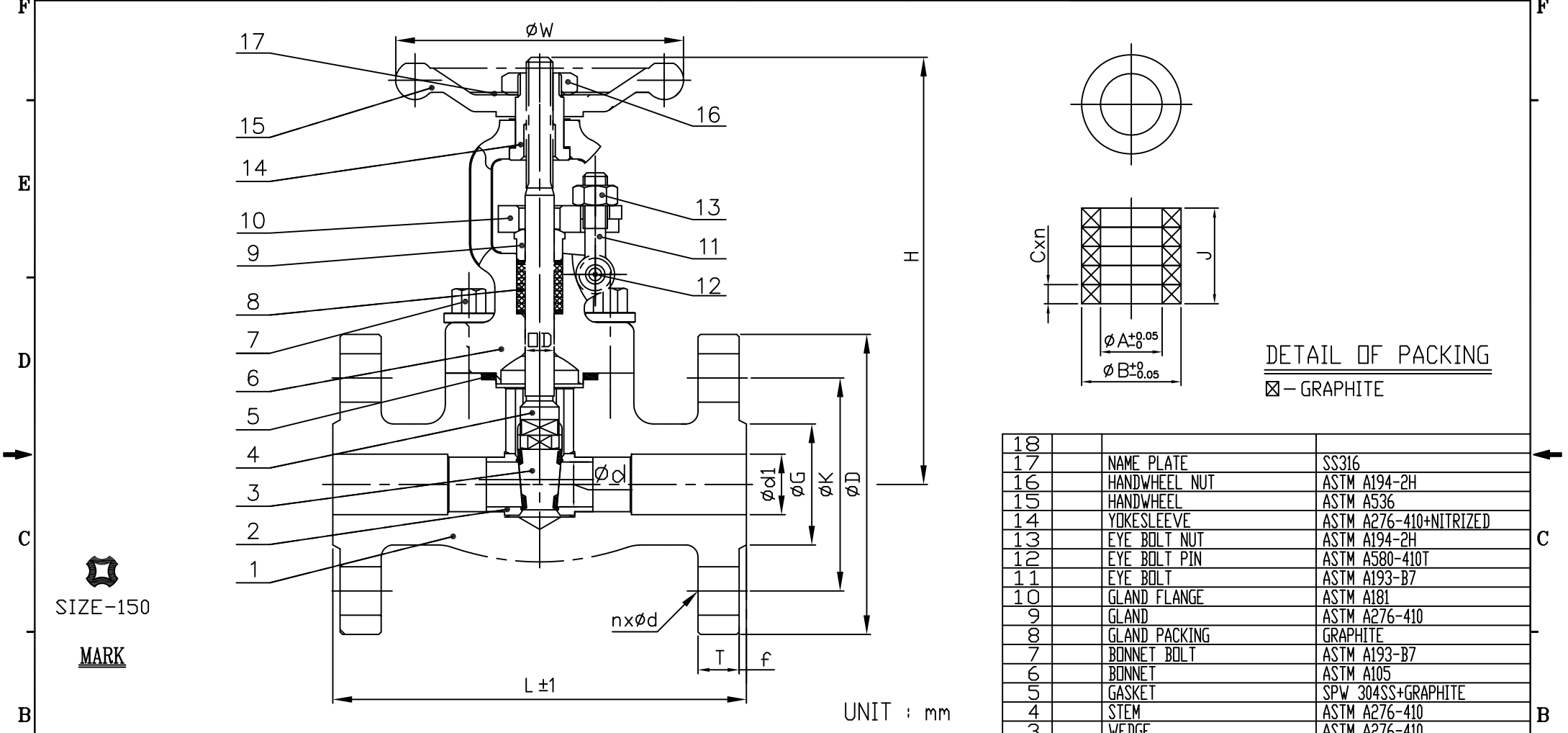


8 CLIENTS LIST NO.		7 TEST PRESSURE		6 SHELL 450 psig AIR psig API 598 CLASS 150		5 SEAT 315 psig 80 psig		STANDARD		4 DRG NO. 8142003520010		2 REVISIONS		1	
TAG NO.										FACE TO FACE (END TO END) ASME B16.10		ZONE LTR		DATE APPROVED	
										DIMENSIONS OF ENDS ASME B16.5		DESCRIPTION			
										WALL THICKNESS API 602 CLASS 800					



ITEM NO.	QTY REQ.	NOMENCLATURE OR DESCRIPTION	MATERIAL AND SPECIFICATION
18		NAME PLATE	SS316
17		HANDWHEEL NUT	ASTM A194-2H
16		HANDWHEEL	ASTM A536
15		YOKESLEEVE	ASTM A276-410+NITRIZED
14		EYE BOLT NUT	ASTM A194-2H
13		EYE BOLT PIN	ASTM A580-410T
12		EYE BOLT	ASTM A193-B7
11		GLAND FLANGE	ASTM A181
10		GLAND	ASTM A276-410
9		GLAND PACKING	GRAPHITE
8		BONNET BOLT	ASTM A193-B7
7		BONNET	ASTM A105
6		GASKET	SPW 304SS+GRAPHITE
5		STEM	ASTM A276-410
4		WEDGE	ASTM A276-410
3		SEAT RING	ASTM A276-410+H/F STL#6
2		BODY	ASTM A105

CLASS 150 DIMENSIONS

ITEM NO.	QTY	SIZE	ϕd	L	ϕW	H	h	T	f	$\phi d1$	ϕG	ϕK	ϕD	$n \times \phi d$	$\square D$	ϕA	ϕB	J	Cxn
		1/2"	10.5	108	100	158.5	146	9.7	1.6	15	35	60.5	90	4* $\phi 16$	10	10	16	24	6x4
		3/4"	13.5	117	100	163.5	148	10.5	1.6	20	43	70.0	100	4* $\phi 16$	10	10	16	24	6x4
		1"	18	127	125	196	176	11.2	1.6	25	51	79.3	110	4* $\phi 16$	12	12	19	24	6x4
		1-1/2"	29	165	160	233	202	14.3	1.6	40	73	98.6	127	4* $\phi 16$	16	16	26	30	6x5
		2"	36.5	178	180	267	228	15.8	1.6	50	92	120.6	152.4	4* $\phi 19$	17	17	27	30	6x5

LIST OF MATERIALS

FIG	FN45A110-P500
-----	---------------

金口金屬股份有限公司

DRAWN BY	吳賜柏 112.01.12	TITLE	150LB 1/2"~2" FORGED STEEL GATE VALVE O.S.&Y. B.B W/ INTEGRAL FLANGE ENDS
CHECKED BY		SCALE	NON
CHIF.	汪聰烈 112.01.12	DRG NO.	81420035000XX
MANG.	賴金輝 112.01.12	REV.	0
APPROVED	許進香 112.01.12		