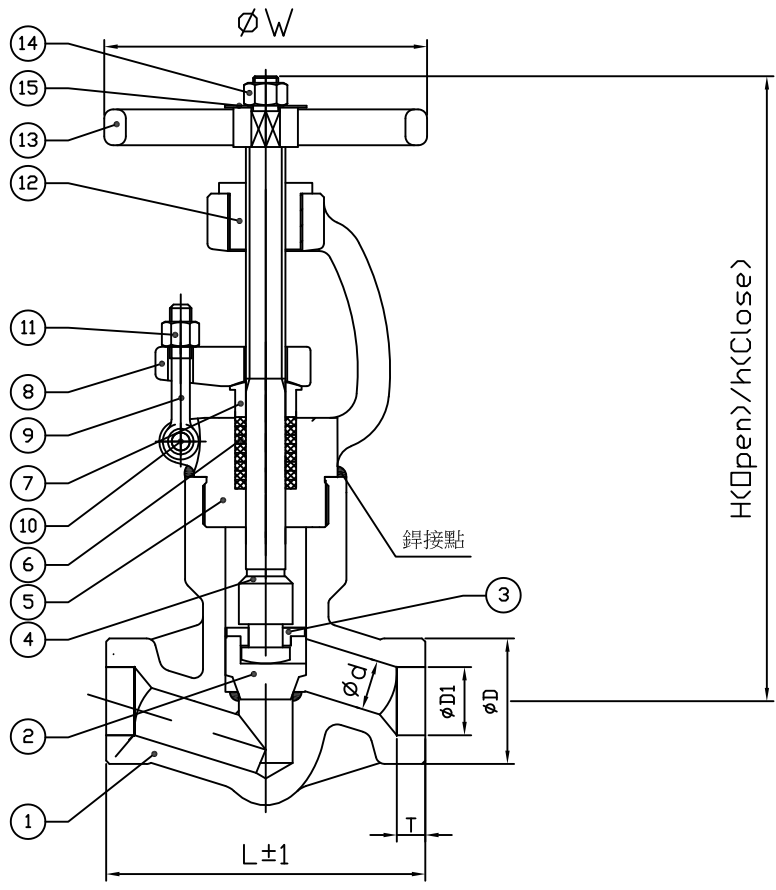


8		7		6		5		DRG NO. 81381050000XX 0		2		1	
CLIENTS LIST NO.		TEST PRESSURE		SHELL 5,575 psig AIR 80 psig API 602 CLASS 1500		SEAT 4,080 psig 80 psig		STANDARD		FACE TO FACE (END TO END) DIMENSIONS OF ENDS WALL THICKNESS		REVISIONS	
TAG NO. :										KGMC STD ASME B16.11 API 602 CLASS 1500		ZONE   LTR   DESCRIPTION   DATE   APPROVED	



FLOW →

UNIT : mm

CLASS 1500 DIMENSIONS

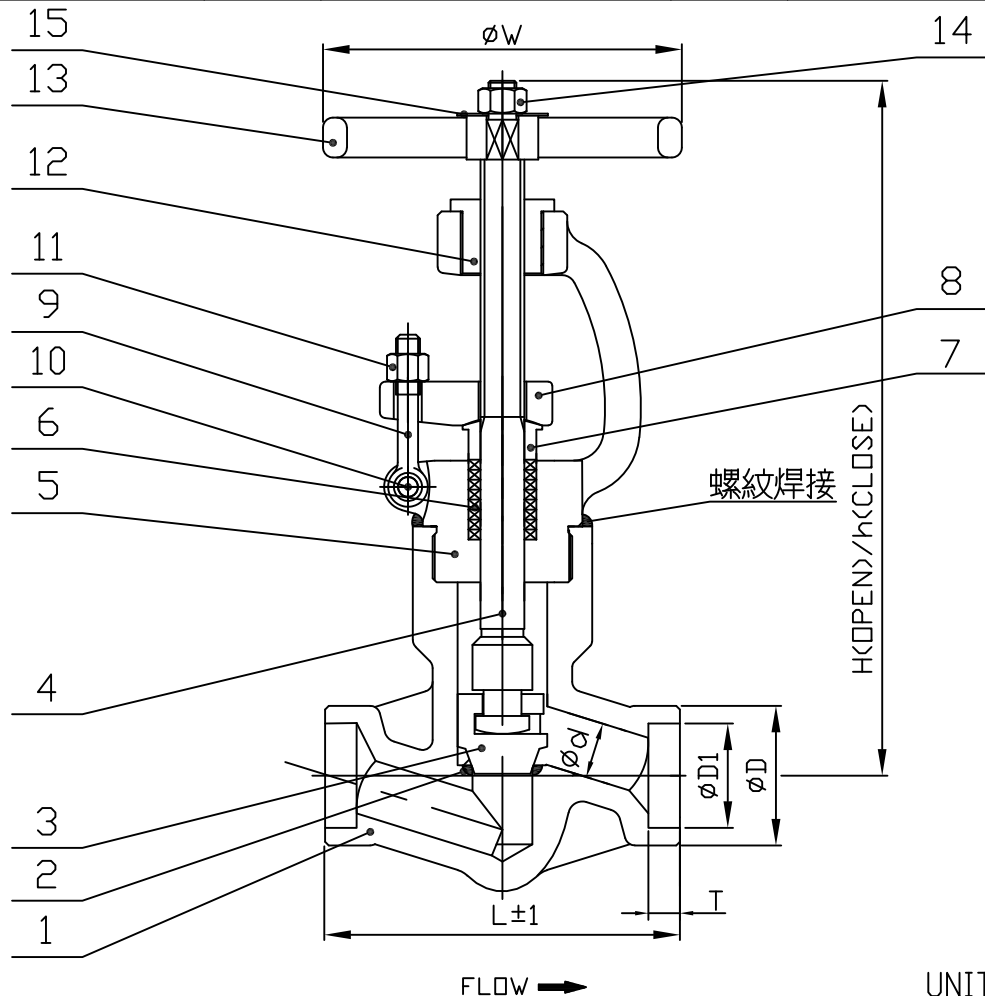
ITEM NO	QTY	SIZE	ød	L	øw	H	h	T	øD1	øD					
		1/2"	10	140	200	325	312	9.5	21.8	60					
		3/4"	13	140	200	325	312	12.5	27.2	60					
		1"	17.5	111	200	325	312	12.5	33.9	60					
		1-1/2"	28	378	280	412	395	12.5	48.9	79					
		2"	36	416	300	475	453	16	61.2	79					

18			
17			
16			
15	NAME PLATE		SS316
14	HANDWHEEL NUT		ASTM A194-2H
13	HANDWHEEL		ASTM A536
12	STEM NUT		ASTM A276-410+NITRIDED
11	EYE BOLT NUT		ASTM A194-2H
10	EYE BOLT PIN		ASTM A580-410T
9	EYE BOLT		ASTM A193-B7
8	GLAND FLANGE		ASTM A181
7	GLAND		ASTM A276-410
6	GLAND PACKING		GRAPHITE
5	BONNET		ASTM A105
4	STEM		ASTM A276-410
3	DISC NUT		ASTM A276-410
2	DISC		ASTM A276-410+H/F STL#6
1	BODY/SEAT		ASTM A105/ASTM A276-410

FIND NO.	QTY REQ	NOMENCLATURE OR DESCRIPTION	MATERIAL AND SPECIFICATION
LIST OF MATERIALS			
-E33A1XXSW010			

DRAWNBY	吳賜柏	110,08,11	<b>TITLE 1500# 1/2"~2" FORGED STEEL GLOBE VALVE O.S.&amp;Y. W.B. R.S. SW ENDS</b>	
CHECKEDBY				
CHIF.	王聰烈	110,08,11		
MANG.	賴金輝	110,08,11		
APPROVED	許進春	110,08,11		
SCALE	NON	DRG NO.	81381050000XX	REV.0

8 CLIENTS LIST NO.		7 TEST PRESSURE		6 SHELL 9275 psig AIR 80 psig API 598 CLASS 2500		5 SEAT 6790 psig 80 psig		4 STANDARD		3 FACE TO FACE (END TO END) KGMC STD DIMENSIONS OF ENDS ASME B16.11 WALL THICKNESS API 602		2 REVISIONS		1 ZONE   LTR   DESCRIPTION   DATE   APPROVED	
Tag. No.:															

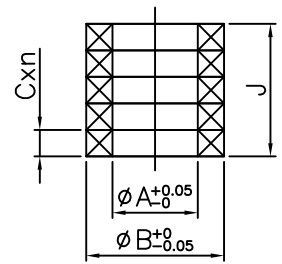
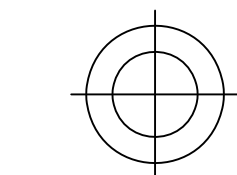


螺紋焊接

H(OPEN)/h(CLOSE)

FLOW →

UNIT : mm



DETAIL OF PACKING

☒ - GRAPHITE

18			
17			
16			
15	NAME PLATE	SS316	
14	HANDWHEEL NUT	ASTM A194-2H	
13	HANDWHEEL	ASTM A536	
12	STEM NUT	ASTM A276-410+NITRIZED	
11	EYE BOLT NUT	ASTM A194-2H	
10	EYE BOLT PIN	ASTM A580-410T	
9	EYE BOLT	ASTM A193-B7	
8	GLAND FLANGE	ASTM A181	
7	GLAND	ASTM A276-410	
6	GLAND PACKING	GRAPHITE	
5	BONNET	ASTM A105	
4	STEM	ASTM A276-410	
3	DISC	ASTM A276-410+H/F STL#6	
2	SEAT	ASTM A105	
1	BODY	ASTM A105	
FIND NO.	QTY REQ	NOMENCLATURE OR DESCRIPTION	MATERIAL AND SPECIFICATION

CLASS 2500 DIMENSIONS

ITEM NO	QTY	SIZE	φd	L	φW	H	h	T	φD1	φD
		1/2"	8	186	220	322	311	10.0	21.8	60
		3/4"	10	186	220	322	311	13.0	27.2	60
		1"	14	186	220	322	311	13.0	33.9	60
		1-1/2"	25	232	300	471	445	13.0	48.8	89
		2"	27	279	360	528	500	16.0	61.2	93

LIST OF MATERIALS			
-G33A1XXSW010			
金口金屬股份有限公司			
DRAWN BY	吳賜柏	111,10,14	TITLE 2500LB 1/2"~1" FORGED STEEL GLOBE VALVE O.S.&Y. W.B. SW ENDS
CHECKED BY			
CH.F.	王聰烈	111,10,14	
MANG.	賴金輝	111,10,14	
APPROVED	許進春	111,10,14	SCALE NON
DRG NO. 81391050000XX		REV. 0	